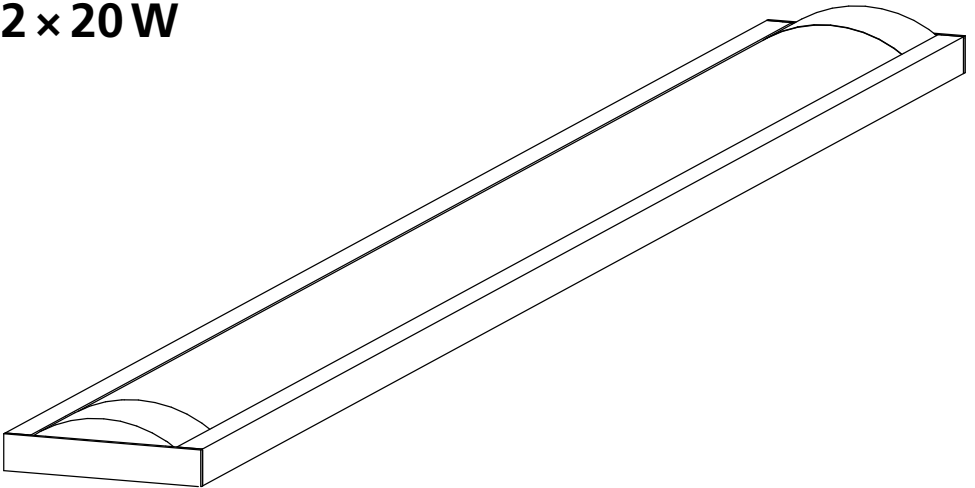
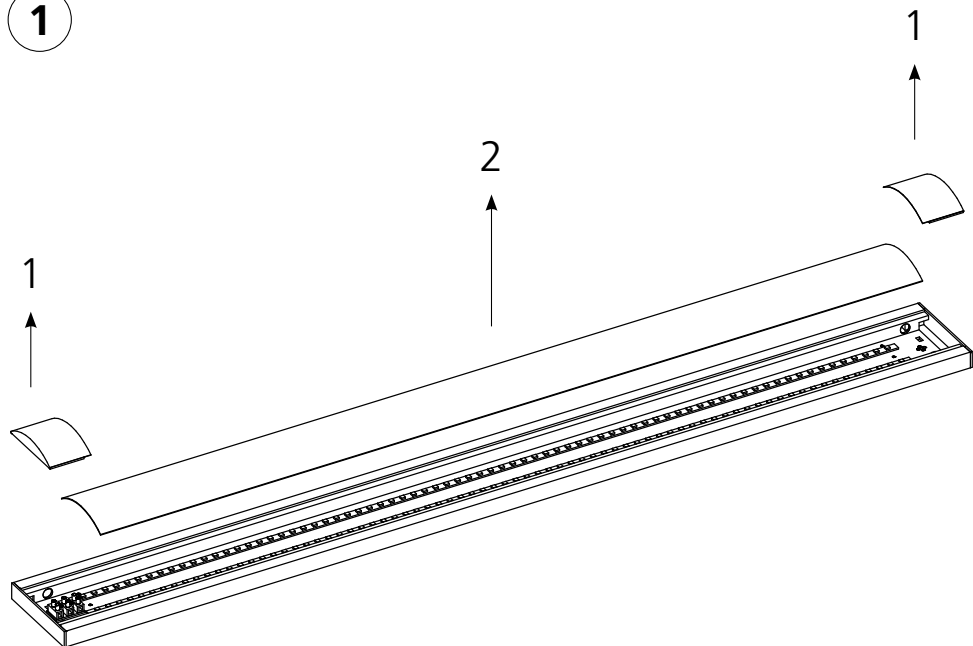


LED 40-124

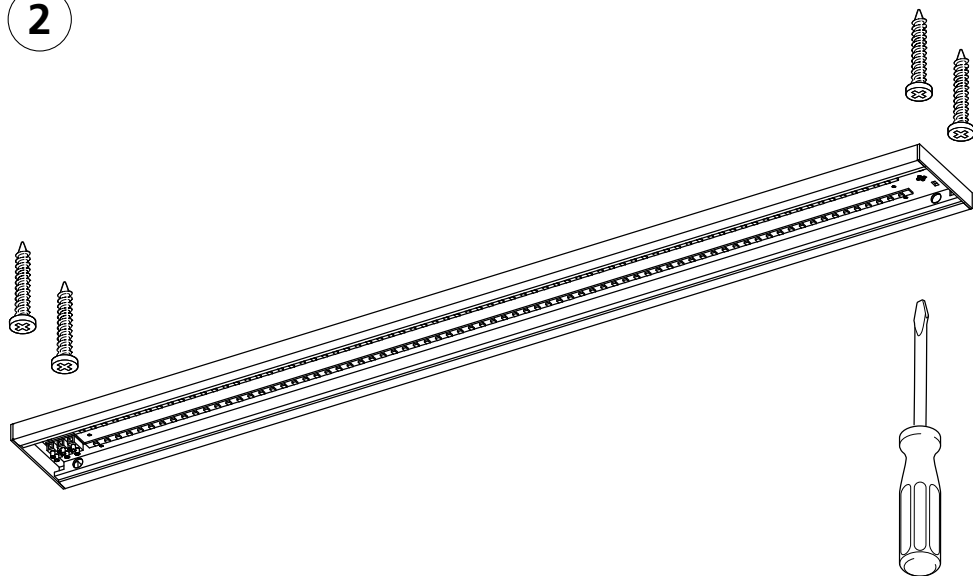
2 × 20W



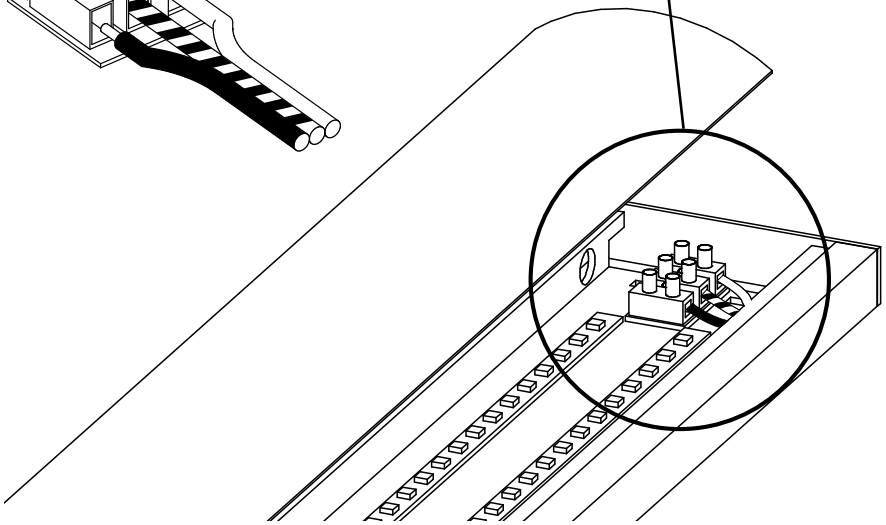
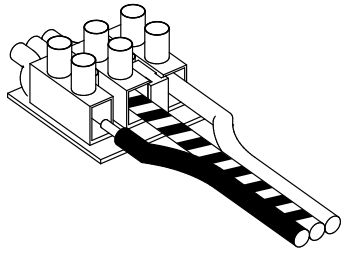
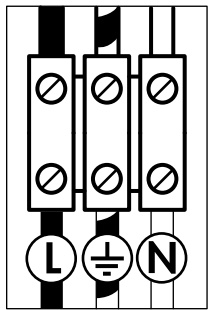
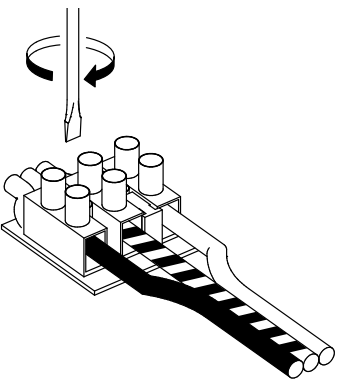
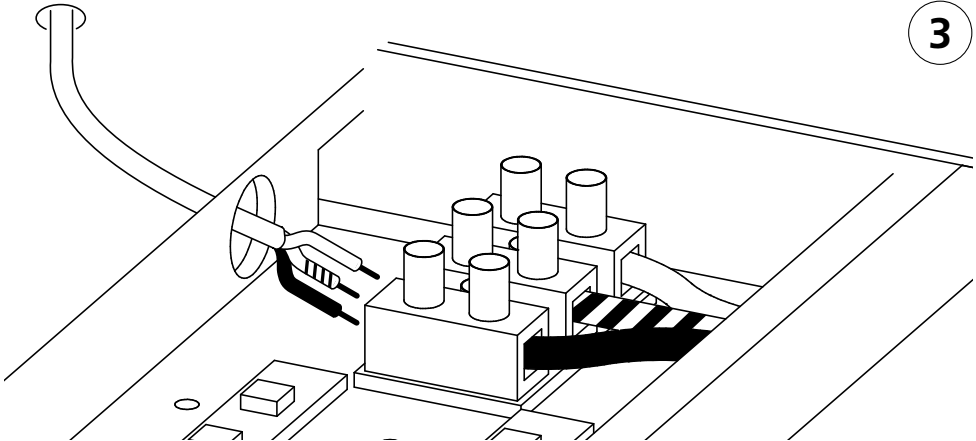
1



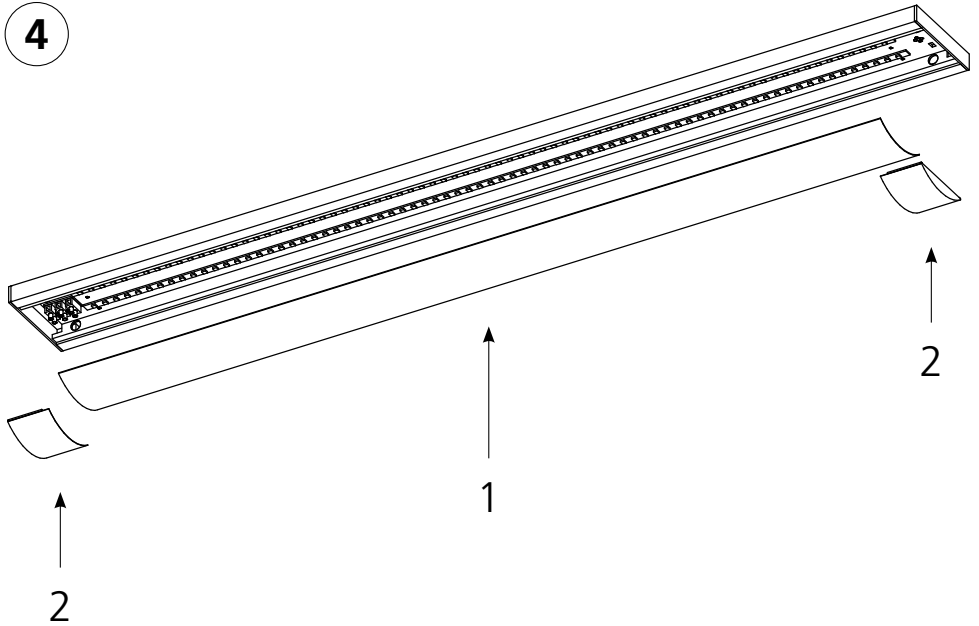
2



3



4



styro GmbH

Industriestrasse 2
D-91583 Schillingsfürst

Tel. +49 9868/989490

Fax +49 9868/5516

www.styro.de

